

## Power Ferrite Flyback Transformers Size E16 - 2 Outputs: 5V & 12V

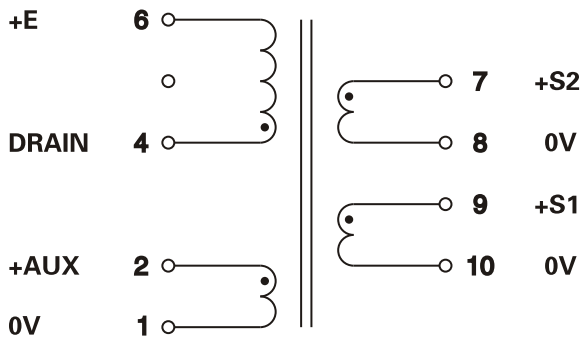
### Features

- Primary / Secondary Insulation  $\geq 4,000V$
- Primary / Auxiliary Insulation  $\geq 1,500V$
- Primary / Secondary creepage distance  $\geq 6mm$
- Confirms to IEC950, IEC335, IEC61558 reinforced insulation construction
- UL94-V0 listed materials used exclusively

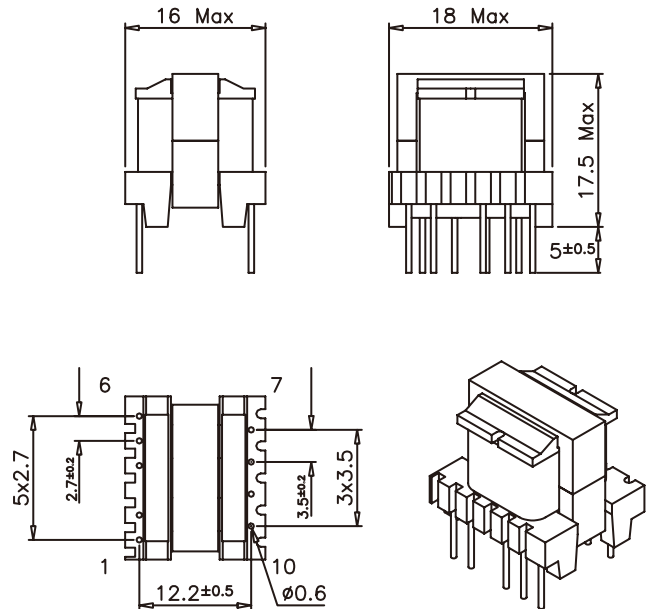
### Applications

- AC-DC converters
- DC-DC converters
- Switch Power supplies
- SMPS: Flyback
- SMPS: Half Bridge and Full Bridge

### Schematic



Remove Pin 3  
PCB Hole Diameter=1.1mm



Part Number	Max Output Power	Windings					Ambient Temperature	
		Pins	Turns	Voltage	Current (max)	Inductance ( $\pm 10\%$ )		
74000	5W	Pri	4-6	138	85-265Vrms	0.27 Apeak	3,900 $\mu H$	<70°C
		Aux	2-1	16	7 - 14 Vdc	0.1 Adc		
		S1	9-10	8	3.3 - 7 Vdc	1.2 Adc		
		S2	7-8	19	8 - 17 Vdc	0.4 Adc		

Examples of application with Integrated Circuits :

Part Number	Control IC Manufacturer	Input Voltage	Power	Frequency
74000	Power Integrations	85 - 265Vrms	5W	132kHz
	ST Microelectronics	85 - 265Vrms	4W	70kHz