

## Power Ferrite Flyback Transformers Size E16 - 3 Outputs: 5 / 15 / 24V

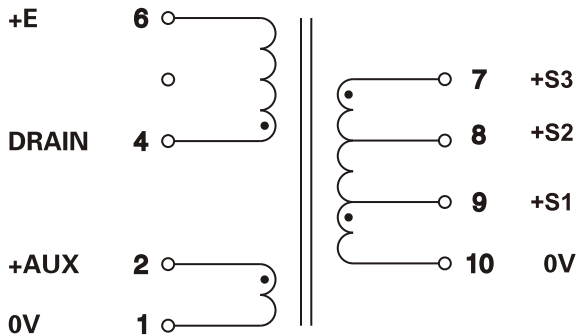
### Features

- Primary / Secondary Insulation  $\geq 4,000V$
- Primary / Auxiliary Insulation  $\geq 1,500V$
- Primary / Secondary creepage distance  $\geq 6mm$
- Confirms to IEC950, IEC335, IEC61558 reinforced insulation construction
- UL94-V0 listed materials used exclusively

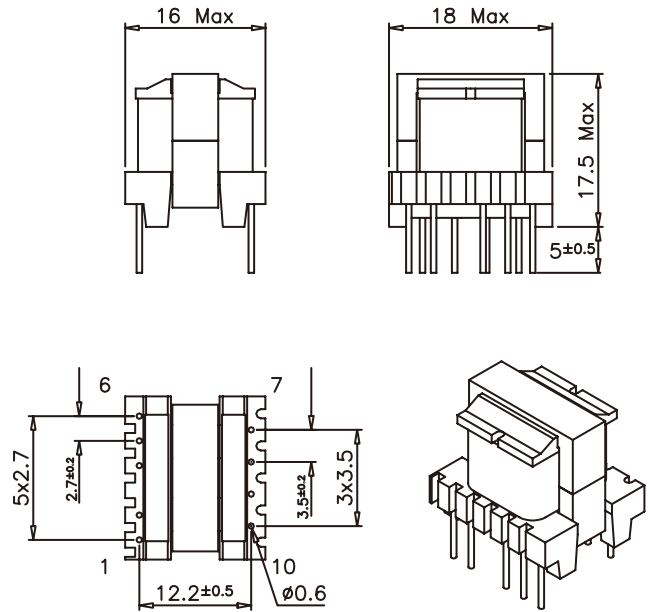
### Applications

- AC-DC converters
- DC-DC converters
- Switch Power supplies
- SMPS: Flyback
- SMPS: Half Bridge and Full Bridge

### Schematic



Remove Pin 3  
PCB Hole Diameter=1.1mm



Part Number	Max Output Power	Windings					Ambient Temperature	
		Pins	Turns	Voltage	Current (max)	Inductance ( $\pm 10\%$ )		
74015	12W	Pri	4-6	120	85-265Vrms	0.5 Apeak	1,800 $\mu H$	<50°C
		Aux	2-1	14	12 Vdc	0.2 Adc		
		S1	9-10	6	5 Vdc	1.5 Adc		
		S2	8-10	17	15 Vdc	0.6 Adc		
		S3	7-10	27	24 Vdc	0.4 Adc		

Examples of application with Integrated Circuits :

Part Number	Control IC Manufacturer	Input Voltage	Power	Frequency
74015	Power Integrations	185 - 265Vrms	12W	132kHz
	Power Integrations	185 - 265Vrms	10W	132kHz
	Power Integrations	85 - 265Vrms	9W	132kHz
	Power Integrations	85 - 265Vrms	8W	132kHz