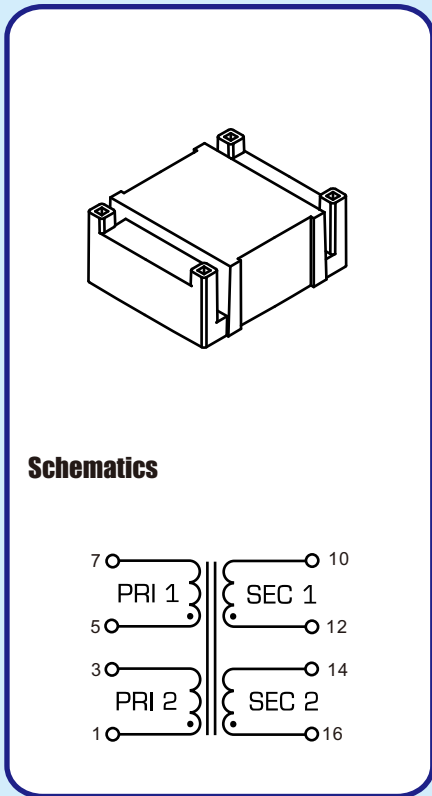


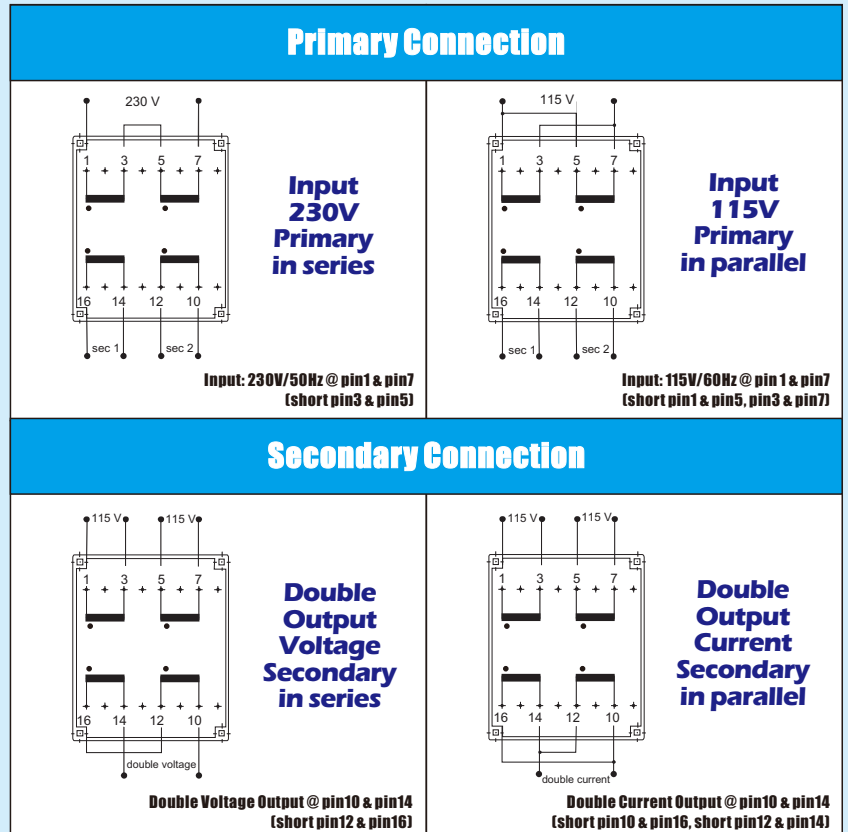
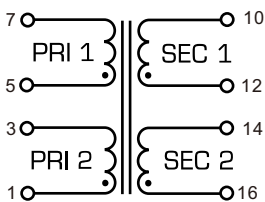
**3.0VA**



- Core type UI30
- Rated power output - 3.0VA
- Input voltage - 115VX2, 50/60Hz
- Insulation class - Class B (130°C)
- Ambient temperature (ta) - 50°C
- Self-extinguishing material
- Split-bobbin design
- Dielectric strength - 3,750Vrms
- Potted under vacuum
- Weight: 125g



### Schematics



Note: Recommended PCB layout for primary and secondary in series or in parallel. Unused pins are omitted for standard parts and it can be provided upon request.

Part Number	Primary (V)	Secondary (V)	Secondary (mA)	No-Load Voltage (V)	Ambient Temperature
YZU30XD030-0605B	2X115	2X6	2X250.0	2X9.8	ta 50/B
YZU30XD030-0905B	2X115	2X9	2X166.7	2X14.7	ta 50/B
YZU30XD030-1205B	2X115	2X12	2X125.0	2X19.6	ta 50/B
YZU30XD030-1505B	2X115	2X15	2X100.0	2X24.5	ta 50/B
YZU30XD030-1805B	2X115	2X18	2X83.3	2X29.5	ta 50/B
YZU30XD030-2105B	2X115	2X21	2X71.4	2X34.4	ta 50/B
YZU30XD030-2405B	2X115	2X24	2X62.5	2X39.3	ta 50/B

### Dimensions (mm):

