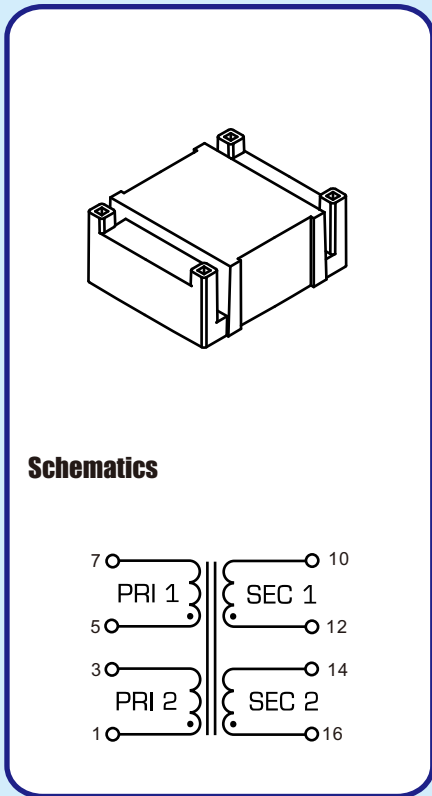


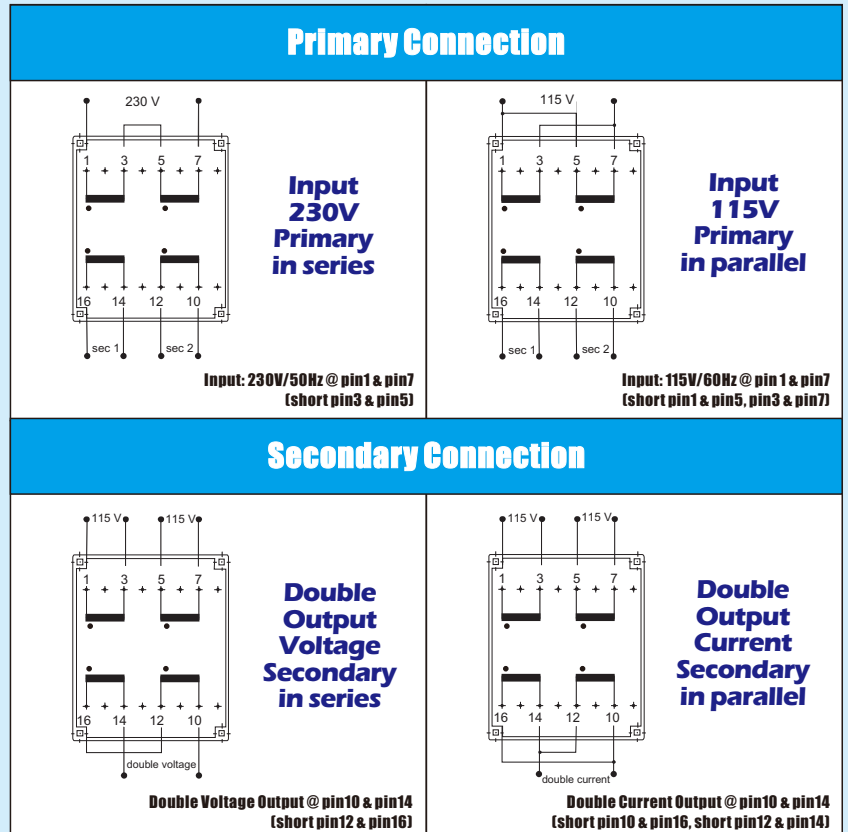
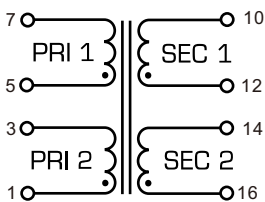
6.0VA



- Core type UI30
- Rated power output - 6.0VA
- Input voltage - 115VX2, 50/60Hz
- Insulation class - Class B (130°C)
- Ambient temperature (ta) - 50°C
- Self-extinguishing material
- Split-bobbin design
- Dielectric strength - 3,750Vrms
- Potted under vacuum
- Weight: 185g



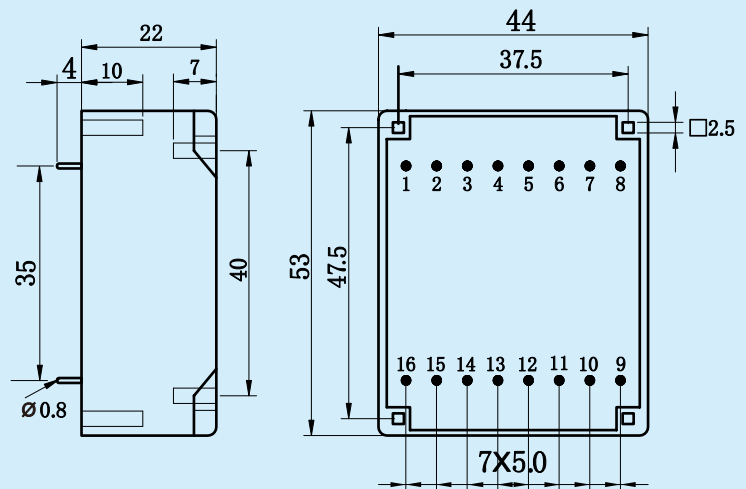
Schematics



Note: Recommended PCB layout for primary and secondary in series or in parallel. Unused pins are omitted for standard parts and it can be provided upon request.

Part Number	Primary (V)	Secondary (V)	Secondary (mA)	No-Load Voltage (V)	Ambient Temperature
YZU30XD060-0605B	2X115	2X6	2X500.0	2X8.1	ta 50/B
YZU30XD060-0905B	2X115	2X9	2X333.3	2X12.1	ta 50/B
YZU30XD060-1205B	2X115	2X12	2X250.0	2X16.2	ta 50/B
YZU30XD060-1505B	2X115	2X15	2X200.0	2X20.2	ta 50/B
YZU30XD060-1805B	2X115	2X18	2X166.7	2X24.3	ta 50/B
YZU30XD060-2105B	2X115	2X21	2X142.9	2X28.3	ta 50/B
YZU30XD060-2405B	2X115	2X24	2X125.0	2X32.3	ta 50/B

Dimensions (mm):



Front View

Bottom View